

## Ultra K17 — 16.8 K-factor Upright Control Mode Specific Application Sprinkler Standard Response, 155°F (68°C) & 200°F (93°C)

### IMPORTANT

Refer to Technical Data Sheet TFP2300 for warnings pertaining to regulatory and health information.

Always refer to Technical Data Sheet TFP700 for the "INSTALLER WARNING" that provides cautions with respect to handling and installation of sprinkler systems and components. Improper handling and installation can permanently damage a sprinkler system or its components and cause the sprinkler to fail to operate in a fire situation or cause it to operate prematurely.

Scan the QR code or enter the URL in a web browser to access the most up-to-date electronic version of this document. Data rates may apply.



[docs.jci.com/tycofire/ultra-k17-16\\_8-k-up-con-spec-app-155-200](http://docs.jci.com/tycofire/ultra-k17-16_8-k-up-con-spec-app-155-200)

## General Description

The TYCO 16.8 K-factor, Ultra K17, Standard Response, Upright Control Mode Specific Application Sprinkler is an automatic sprinkler of the frangible bulb type. The sprinkler assembly is shown in Figure 1.

The sprinkler is intended for use with National Fire Protection Association (NFPA) Control Mode Specific Application installation criteria for the protection of high piled storage. It may also be utilized as a 16.8 K-factor, upright, standard response storage sprinkler in accordance with Factory Mutual (FM) Loss Prevention Data Sheets. See FM 2-0 and 8-9 for specific design and installation criteria.

The Ultra K17 Sprinkler can provide a higher level of protection than other standard spray sprinklers and, in some cases, it can provide an economical advantage by eliminating in-rack sprinklers.

Applications for the Ultra K17 Upright Control Mode Specific Application Sprinkler are expanding beyond the current specific application listings/approvals.

### NOTICE

*The TYCO Ultra K17, Standard Response, Upright Control Mode Specific Application Sprinkler described herein must be installed and maintained in compliance with this document and with the applicable standards of the National Fire Protection Association, in addition to the standards of any authorities having jurisdiction. Failure to do so may impair the performance of these devices.*

*The owner is responsible for maintaining their fire protection system and devices in proper operating condition. Contact the installing contractor or product manufacturer with any questions.*



## Sprinkler Identification Number (SIN)

See Table A

## Technical Data

### Approvals

UL and C-UL Listed  
FM Approved  
NYC Approved  
EAC Approved

For specific details of laboratory listings and approvals, see Table C. The approvals apply to the service conditions indicated in the Design Criteria section.

### Finish

Natural Brass

### Physical Characteristics

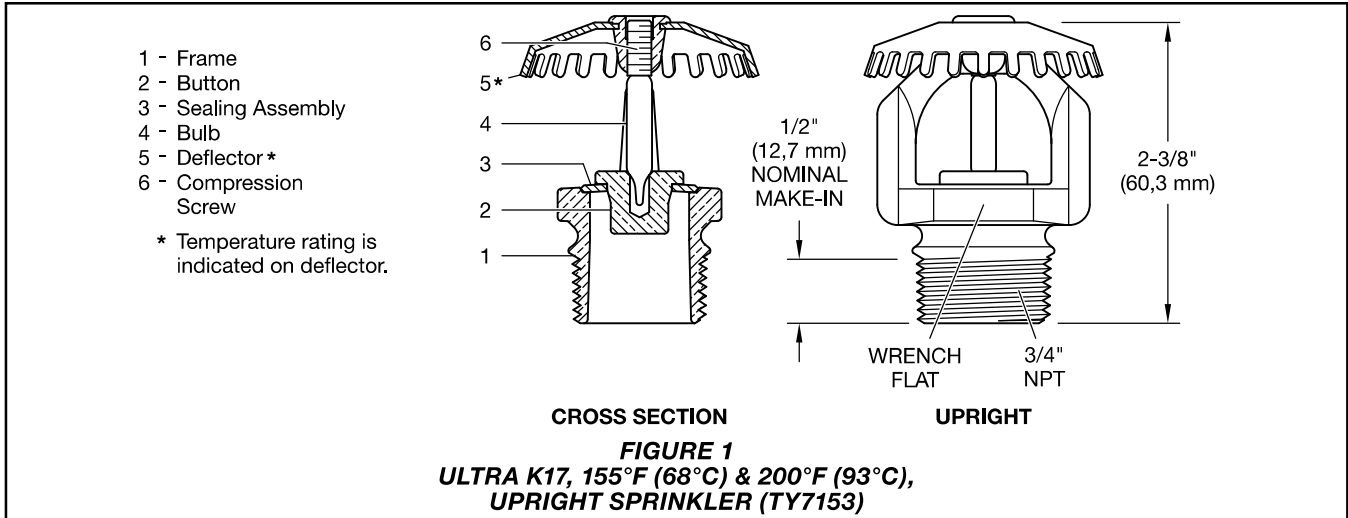
Frame	.....	Bronze
Button	.....	Bronze
Sealing Assembly	.....	Beryllium Nickel w/TEFLON
Bulb (5 mm)	.....	Glass
Compression Screw	.....	Brass
Deflector	.....	Chrome Plated Brass

### Additional Technical Data

See Table A

## Operation

The glass bulb contains a fluid that expands when exposed to heat. When the rated temperature is reached, the fluid expands sufficiently to shatter the glass bulb, allowing the sprinkler to activate and flow water.



## Design Criteria

**UL and C-UL Listing Requirements**  
 The TYCO 16.8 K-factor, Ultra K17, Standard Response, Upright Control Mode Specific Application Sprinkler may be installed in accordance with NFPA 13 "Control Mode Specific Application Sprinkler (for Storage Use)" requirements to provide ceiling only protection (that is, no in-rack sprinklers) for high piled storage occupancies (Solid-piled, palletized and rack storage including but not limited to Class I-IV and Group A plastics) using the criteria from NFPA 13. For more information, see Table B.

**FM Approval Requirements**  
 The TYCO 16.8 K-factor, Ultra K17 Sprinklers may be installed with the applicable storage sprinkler guidelines provided by Factory Mutual.

**Note:** FM guidelines may differ from UL and C-UL Listing criteria.

Item	Description
Sprinkler Identification Number (SIN)	TY7153 TY7153 is a redesignation for C7153, G1887, and S8042.
K-factor, gpm/psi <sup>1/2</sup> (lpm/bar <sup>1/2</sup> )	16.8 gpm/psi <sup>1/2</sup> (241,9 lpm/bar <sup>1/2</sup> )
Temperature Rating °F (°C)	See Table C
Thread Size	3/4 in. NPT
Sprinkler Orientation	Upright
Maximum Working Pressure, psi (bar)	175 psi (12 bar)

**TABLE A**  
**ULTRA K17 UPRIGHT SPRINKLER**  
**TECHNICAL DATA**

<b>Storage Type</b>	<b>NFPA</b>	<b>FM Global</b>
Sprinkler Type	CMSA	Storage
Response Type	SR	SR
System Type	Wet and Dry	Wet and Dry
Temperature Rating °F (°C)	See Table C	See Table C
Open Frame (i.e., no solid shelves) Single, Double, Multiple-Row, or Portable Rack Storage of Class I-IV and Group A or B Plastics	Refer to NFPA 13	Refer to FM 2-0 and 8-9
Solid Pile or Palletized Storage of Class I-IV and Group A or B Plastics	Refer to NFPA 13	Refer to FM 2-0 and 8-9
Idle Pallet Storage	Refer to NFPA 13	Refer to FM 2-0, 8-9, and 8-24
Rubber Tire Storage	Refer to NFPA 13	Refer to FM 2-0 and 8-3
Roll Paper Storage (Refer to the Standard)	Refer to NFPA 13	Refer to FM 8-21
Flammable/Ignitable Liquid Storage (Refer to the Standard)	Refer to NFPA 30	Refer to FM 7-29
Aerosol Storage (Refer to the Standard)	Refer to NFPA 30B	Refer to FM 7-31
Automotive Components in Portable Racks (Control mode only; refer to the Standard)	Refer to NFPA 13	N/A

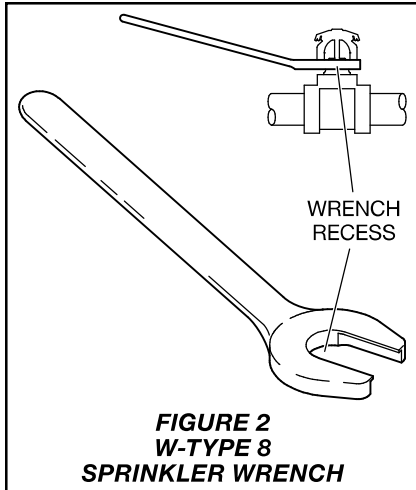
**Notes:**  
N/A – Not Applicable

**TABLE B**  
**ULTRA K17 UPRIGHT SPRINKLER**  
**COMMODITY SELECTION AND DESIGN CRITERIA OVERVIEW**

<b>TYPE</b>	<b>TEMPERATURE RATING</b>	<b>BULB LIQUID COLOR</b>	<b>SPRINKLER FINISH</b>
			<b>NATURAL BRASS WITH CHROME DEFLECTOR</b>
<b>UPRIGHT K16.8 (TY7153)</b>	155°F (68°C)	Red	3, 4, 5
	200°F (93°C)	Green	1, 2, 3, 4, 5

- Notes:**
1. Listed by Underwriters Laboratories, Inc. (UL Listed)
  2. Listed by Underwriters Laboratories, Inc. for use in Canada (C-UL Listed)
  3. Approved by Factory Mutual Research Corporation (FM Approved)
  4. Approved by the City of New York under MEA 177-03-E
  5. EAC Approved

**TABLE C**  
**LABORATORY LISTINGS AND APPROVALS**  
**(See Design Criteria section)**



## Installation

The TYCO 16.8 K-factor, Ultra K17, Standard Response, Upright Control Mode Specific Application Sprinkler must be installed in accordance with this section.

### General Instructions

Do not install any bulb type sprinkler if the bulb is cracked or there is a loss of liquid from the bulb. With the sprinkler held horizontal, a small air bubble should be present. The diameter of the air bubble is approximately 1/16 in. (1,6 mm).

A leak-tight 3/4 in. NPT sprinkler joint should be obtained by applying a minimum-to-maximum torque of 7 to 14 lb-ft (9,5 to 19,0 N·m). Higher levels of torque can distort the sprinkler Inlet with consequent leakage or impairment of the sprinkler.

**Step 1.** With pipe thread sealant applied to the pipe threads, hand tighten the Ultra K17 Sprinkler into the sprinkler fitting.

**Step 2.** Apply the W-Type 8 Sprinkler Wrench (see Figure 2) to the sprinkler wrench flats (see Figure 1), and tighten the Ultra K17 Sprinkler into the sprinkler fitting.

## Care and Maintenance

The TYCO 16.8 K-factor, Ultra K17, Standard Response, Upright Control Mode Specific Application Sprinkler must be maintained and serviced in accordance with this section.

Before closing a fire protection system main control valve for maintenance work on the fire protection system that it controls, permission to shut down the affected fire protection systems must be obtained from the proper authorities and all personnel who may be affected by this action must be notified.

Sprinklers that are found to be leaking or exhibiting visible signs of corrosion must be replaced.

Automatic sprinklers must never be painted, plated, coated, or otherwise altered after leaving the factory. Modified sprinklers must be replaced. Sprinklers that have been exposed to corrosive products of combustion, but have not operated, should be replaced if they cannot be completely cleaned by wiping the sprinkler with a cloth or by brushing it with a soft bristle brush.

Care must be exercised to avoid damage to the sprinklers before, during, and after installation. Sprinklers damaged by dropping, striking, wrench twist/slippage, or the like, must be replaced. Also, replace any sprinkler that has a cracked bulb or that has lost liquid from its bulb. Refer to Installation section for additional information.

The owner is responsible for the inspection, testing, and maintenance of their fire protection system and devices in compliance with this document, as well as with the applicable standards of the NFPA such as NFPA 25, in addition to the standards of any other authorities having jurisdiction. Contact the installing contractor or product manufacturer with any questions.

Automatic sprinkler systems are recommended to be inspected, tested, and maintained by a qualified Inspection Service in accordance with local requirements and/or national codes.

## Limited Warranty

For warranty terms and conditions, visit [www.tyco-fire.com](http://www.tyco-fire.com).

## Ordering Procedure

Contact your local distributor for availability. When placing an order, indicate the full product name and Part Number (P/N).

### Sprinkler Assemblies with NPT Thread Connections

Specify: Ultra K17 (TY7153), K = 16.8, Upright Control Mode Specific Application Sprinkler, Standard Response, (specify) temperature rating, P/N (specify):

155°F (68°C) ..... 51-887-1-155  
200°F (93°C) ..... 51-887-1-200

### Sprinkler Wrench

Specify: W-Type 8 Sprinkler Wrench, P/N 56-892-1-001